

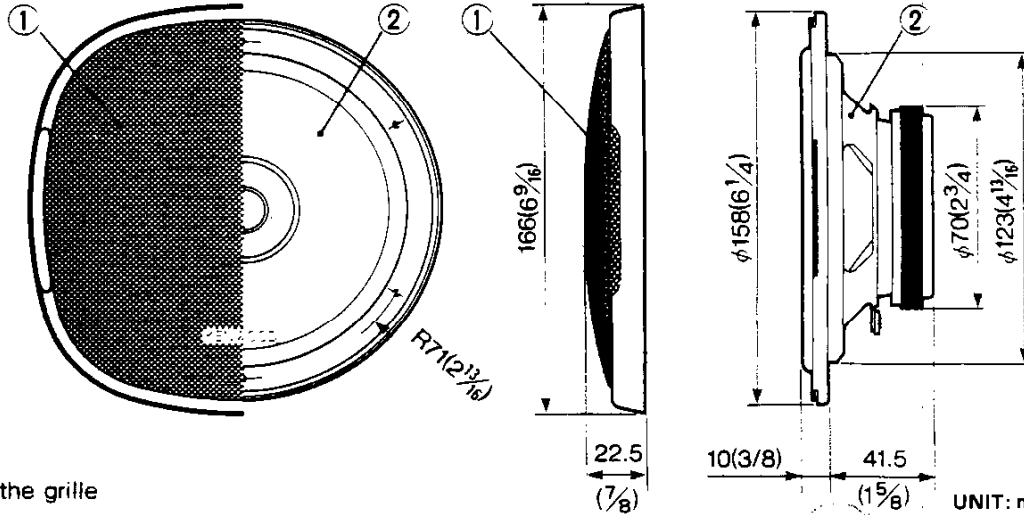
KFC-1662

SERVICE MANUAL

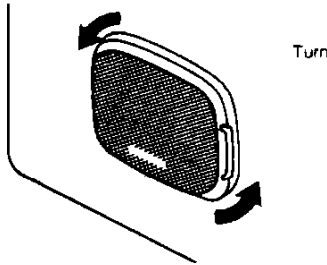
KENWOOD

© 1988-12 PRINTED IN JAPAN
B51-3773-00(B)2020

EXTERNAL VIEW



How to remove the grille






Turn

UNIT: mm (inch)

COPY

PARTS INCLUDED

-  4.5m(15ft) x 2
-  ϕ 4-30($3/16$ -1- $3/16$) x 6
-  x 6

SPECIFICATIONS

- Speaker 16cm(6in) Water proof treatment
cone type
- 122g(4.3oz) Magnet
- Peak power 60 Watts
- Frequency Response 55Hz ~ 20,000Hz
- Sensitivity 92dB/W at 1m
- Impedance 4 ohms
- Weight per speaker with grille 0.55kg(1lb 3oz)/pc

We follow a policy of advancements in development.
For this reason specifications may be changed without notice.

PARTS LIST

★ New parts
Parts without Parts No. are not supplied.
Les articles non mentionnés dans le Parts No. ne sont pas fournis.
Teile ohne Parts No. werden nicht geliefert.

Ref No.	New Parts	Parts No.	Description
1	★	B06-0317-08	FRONT GRILLE
		B46-0100-10	WARRANTY CARD
	★	E30-1236-08	CORD SET
	★	N99-1086-08	SCREW SET
2	★	T07-0143-08	SPEAKER